

EC Counter

SERIES 543 — Low-cost, Assembly, Type Display Unit

FEATURES

- Employed the DIN size (96 X 48mm) and mount-on-panel configuration, which greatly facilitates the incorporation into a system.
- Possible to produce either tolerance judgment output or Digimatic output.

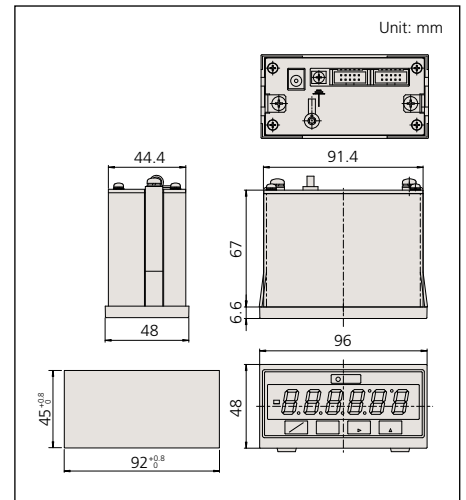


EC Counter

Order No.: 542-007

Function: Preset, GO/±NG judgment

DIMENSION



Multi-Unit, Difference/Sum Unit

SERIES 572 — For Multi-gage Measurements



Multi-Unit

Order No. 572-052*

* To denote your AC line voltage add the following suffixes to the order No. (e.g.: **519-351A**):
A for UL/CSA, **D** for CEE, **E** for BS, **DC** for China, **K** for EK, **No suffix** is required for JIS/100V



Difference/Sum Unit

Order No. 572-041*

* To denote your AC line voltage add the following suffixes to the order No. (e.g.: **519-351A**):
A for UL/CSA, **D** for CEE, **E** for BS, **DC** for China, **K** for EK, **No suffix** is required for JIS/100V

System Diagram

